

Specification

Lithium Polymer Battery Pack LP601624 3.7V 180mAh with Protection Circuit Module (PCM)
 This data sheet describes the requirements and properties of lithium polymer rechargeable battery pack manufactured by LiPol Battery Co., Ltd - China

Mechanical Characteristics

Cell	▶ LP601624
PCM	▶ Yes
NTC	▶ No
Configuration	▶ 1S1P
Weight	▶ appr. 3.6g

Electrical Specification

Rated Capacity	▶ 180mAh min, 190mAh typ.
Nominal Voltage	▶ 3.7V
Wat-Hour Rating	▶ 0.67Wh
Max. Operating Voltage Range	▶ 2.75V to 4.20V
Max. Charge Voltage	▶ 4.2V ±50mV
Max. Charge Current	▶ 180mA
Standard Charge Current	▶ 90mA
Max. Continuous Discharge Current	▶ 180mA
Standard Discharge Current	▶ 90mA
Discharge Cut Off	▶ 2.75V
Internal Impedance	▶ <120mΩ
Expected Cycle Life @ (0.5C/0.5C) @ 23±5°C	▶ 500 cycles ≥ 80%

Cell Protection

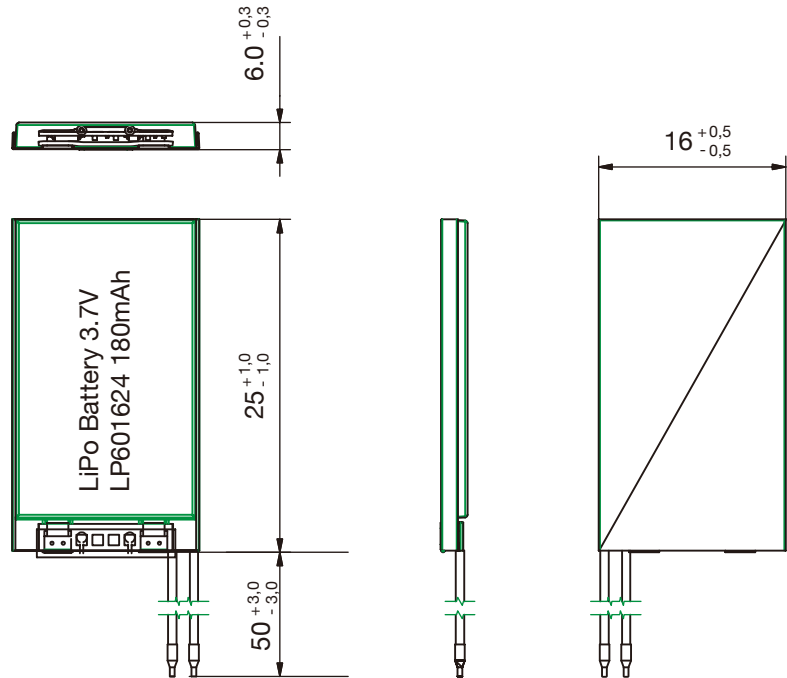
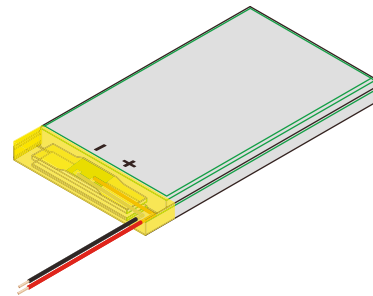
Overcharge Detection	▶ 4.275 ±50mV (0.7 to 1.3sec. delay, release 4.275V ±50mV)
Overdischarge Detection	▶ 2.75V ±50mV (14 to 26msec. delay, resume 2.50V ±50mV)
Overcurrent Detection	▶ 2.0A to 2.5A (8 to 16msec. delay)

Ambient Conditions

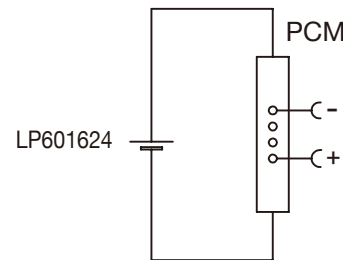
Charge Temp. Range	▶ +10°C to +45°C
Discharge Temp. Range	▶ -20°C to +60°C
Storage Temp. Range	▶ 1 year at -20°C to +30°C >70%
	▶ 3 months at -20°C to +45°C >70%
	▶ 1 month at -20°C to +60°C >70%

Environmental and Safety

Please follow LiPol Handling and Safety Precautions for Lithium Polymer Battery. This battery meets the requirements of Battery Directives, and the battery parts are IEC62133-2-2017 & RoHS-Compliant. For more safety precautions and performance standards, please go to www.lipolbattery.com/support.html



Circuit Diagram



Mae in mm All dimensions in mm	Freimatoleranzen Generaltoleranzen	Date	Name	LiPol Battery	Index
Als Betriebsgeheimnis anvertraut, alle Rechte vorbehalten	up to 6 · 0,1 over 6 up to 30 · 0,2	Erst. / Orig 20.11.2023	Xie Qingfang		
Proprietary data, company confidential, all rights reserved.	over 30 up to 100 · 0,3 over 100 · 0,5	Gepr./check 20.11.2023	Guo Daxia	Benennung/ Designation LP601624	Zchg. / Dwg. Nr. 3 FD_3211_10
		Origin:	support@lipolbattery.com	www.LiPolBattery.com	