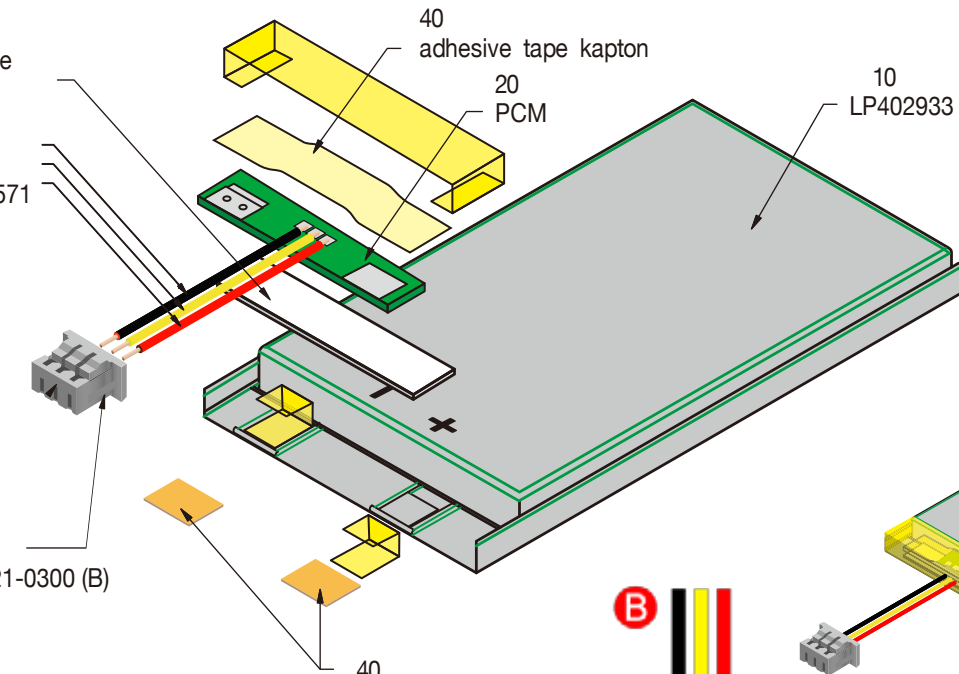


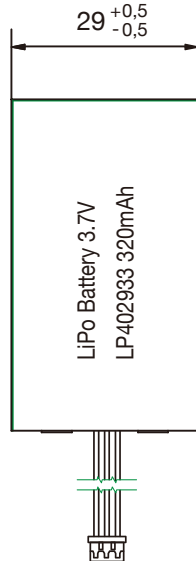
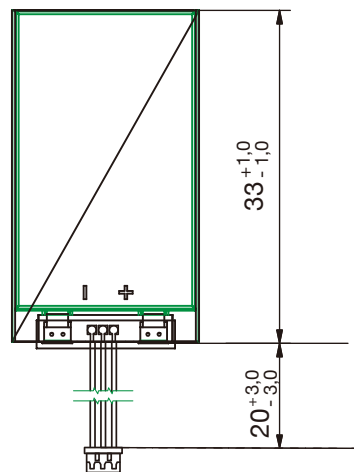
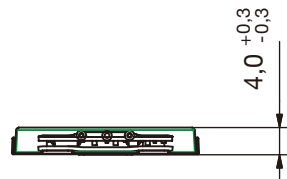
30
double-sided
adhesive tape

60
wires
28AWG UL1571

50
connector
Molex 51021-0300 (B)

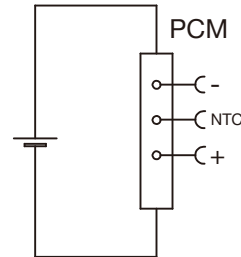


40
adhesive tape
kapton (2x)



LP402933

Circuit diagram



Specification

Lithium Polymer Battery Pack LP402933 320mAh 3.7V with Protection Circuit Module (PCM)
This data sheet describes the requirements and properties of lithium polymer rechargeable battery pack manufactured by LiPol Battery Co., Ltd - China

Mechanical Characteristics

Cell	▶ LP402933
PCM	▶ Yes
NTC	▶ 10KΩ 1% +25C B3380
Configuration	▶ 1S1P
Weight	▶ appr. 6.4g

Electrical Specification

Rated Capacity	▶ 320mAh min, 330mAh typ.
Nominal Voltage	▶ 3.7V
Wat-Hour Rating	▶ 1.18Wh
Max. Operating Voltage Range	▶ 2.75V to 4.20V
Max. Charge Voltage	▶ 4.2V ± 50mV
Max. Charge Current	▶ 160mA
Max. Continuous Discharge Current	▶ 320mA
Discharge Cut Off	▶ 2.75V
Internal Impedance	▶ <200mΩ
Expected Cycle Life @ (0.5C/0.5C) @ 23±5°C	▶ 500 cycles ≥ 80%

Cell Protection

Overcharge Detection	▶ 4.275 ±50mV (0.7 to 1.3sec. delay, release 4.275V ±50mV)
Overdischarge Detection	▶ 2.75V ±50mV (14 to 26msec. delay, resume 2.50V ±50mV)
Overcurrent Detection	▶ 2A to 4.5A (8 to 16msec. delay)

Ambient Conditions

Charge Temp. Range	▶ 0 to +45°C
Discharge Temp. Range	▶ -20 to +60°C
Storage Temp. Range	▶ 1 year at -20 to +30°C >70%
Overcurrent Detection	▶ 3 moths at -20 to +45°C >70%
	▶ 1 month at -20 to +60°C >70%
Humidity	▶ 65 ±20%RH

Environmental and Safety

Please follow LiPol Handling and Safety Precautions for Lithium Polymer Battery. This battery meets the requirements of Battery Directives, and the battery parts are IEC 62133 & RoHS-Compliant. For more safety precautions and performance standards, please go to www.lipolbattery.com/support.html

Mae in mm	Freimatoleranzen	Date	Name	+ LiPol Battery	
All dimensions in mm	Generaltoleranzen	Erst./ Orig	23.05.2019		
Als Betriebsgeheimnis anvertraut, alle Rechte vorbehalten	up to 6 : 0,1	Gepr./Check	23.05.2019	Guo Daxia	3 Zchnng. / Dwg. Nr. FD_1240_20
	over 6 : 0,2	Benennung/ Designation		Index	
Proprietary data, company confidential, all rights reserved.	over 30 : 0,3	LP402933			
	over 100 : 0,5	Origin:	support@lipolbattery.com	www.LiPolBattery.com	